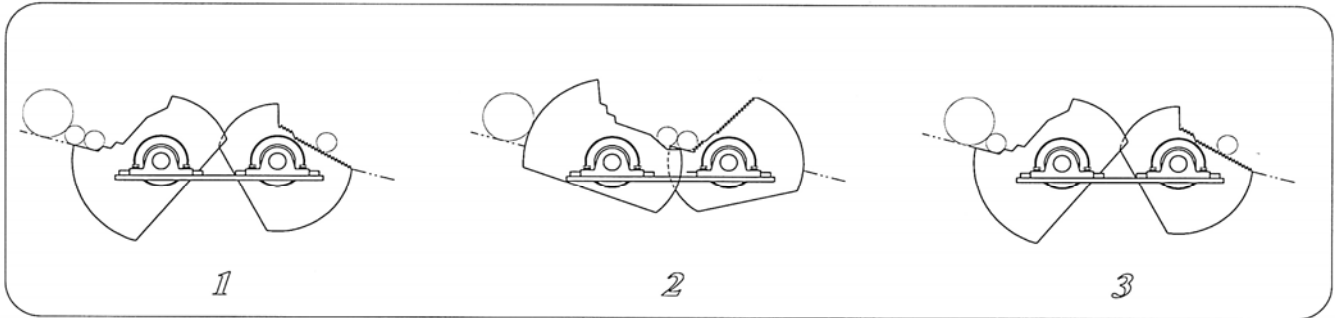
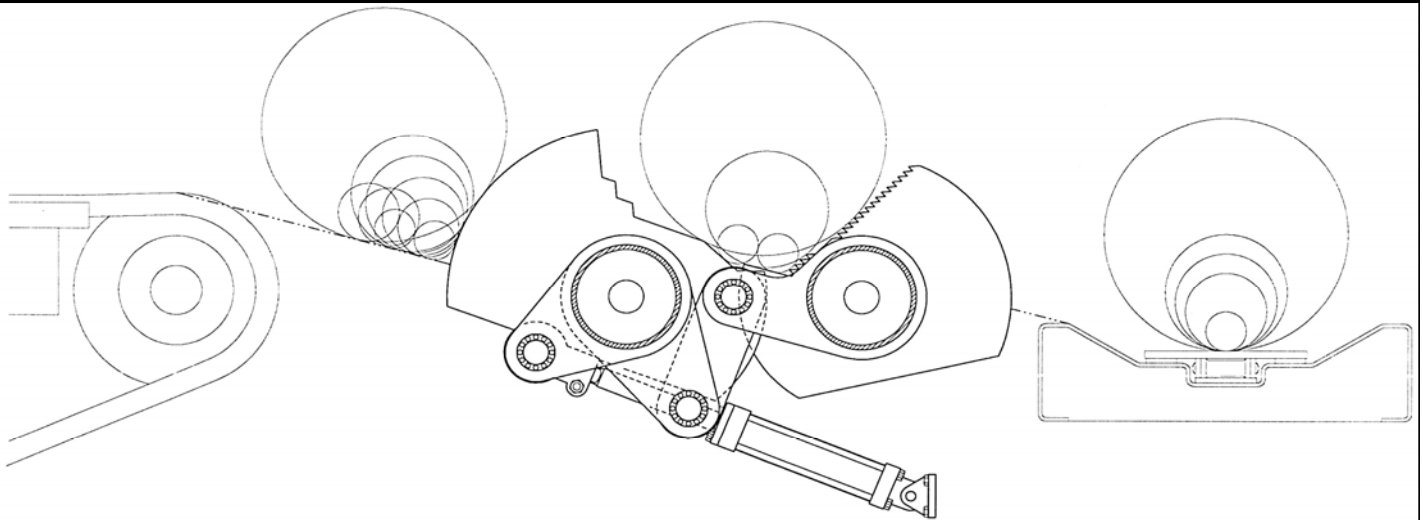


BRUNETTE UNI-LOG FEEDER

FULLY AUTOMATIC SINGLE LOG FEEDER



The Brunette fully automatic, high speed UNI-LOG FEEDER delivers top productivity for your mill's high tech future.

The Brunette Log Feeder offers such profitability enhancing features as:

- Simple robust design.
- AutoCAD computer engineered components.
- Easily retro-fitted into existing log handling systems.
- Optional pneumatic or hydraulic operation.
- Singulates and feeds logs one at a time from 8ft to tree length.
- Choose from 3-18", 4-24", 5-30" or 6-36" models.



Brunette Industries Ltd.
330 Edworthy Way
New Westminster, BC
Canada V3L 5G5
Ph: 604-522-3977
Fax: 604-522-6806
sales@brunetteindustries.com

Brunette Industries Ltd.
115 Brunas Way
Ball Ground, GA
USA 30107
Ph: 770-345-1400
Fax: 770-345-6191
salesUSA@brunetteindustries.com

BDR Machinery Ltd.
4580 Eastgate Parkway
Mississauga, ON
Canada L4W 4K4
Ph: 905-625-9236
Fax: 905-625-6437
christer@bdrmachinery.com